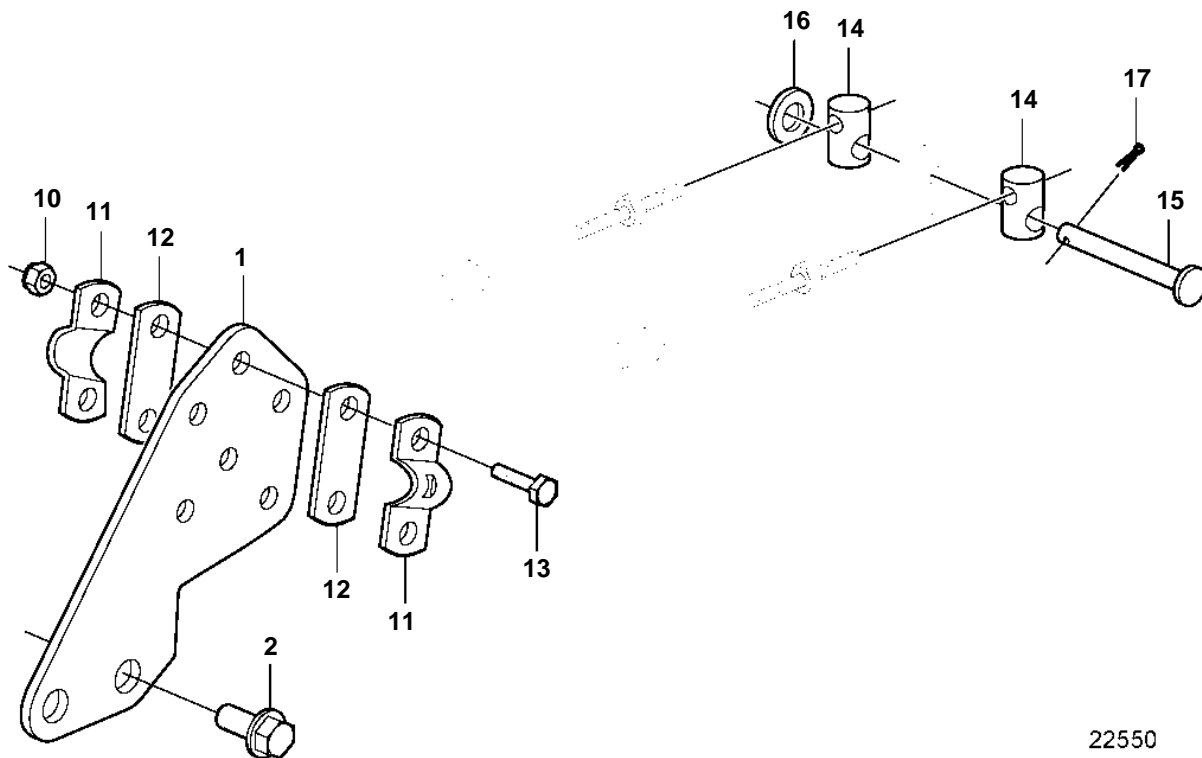
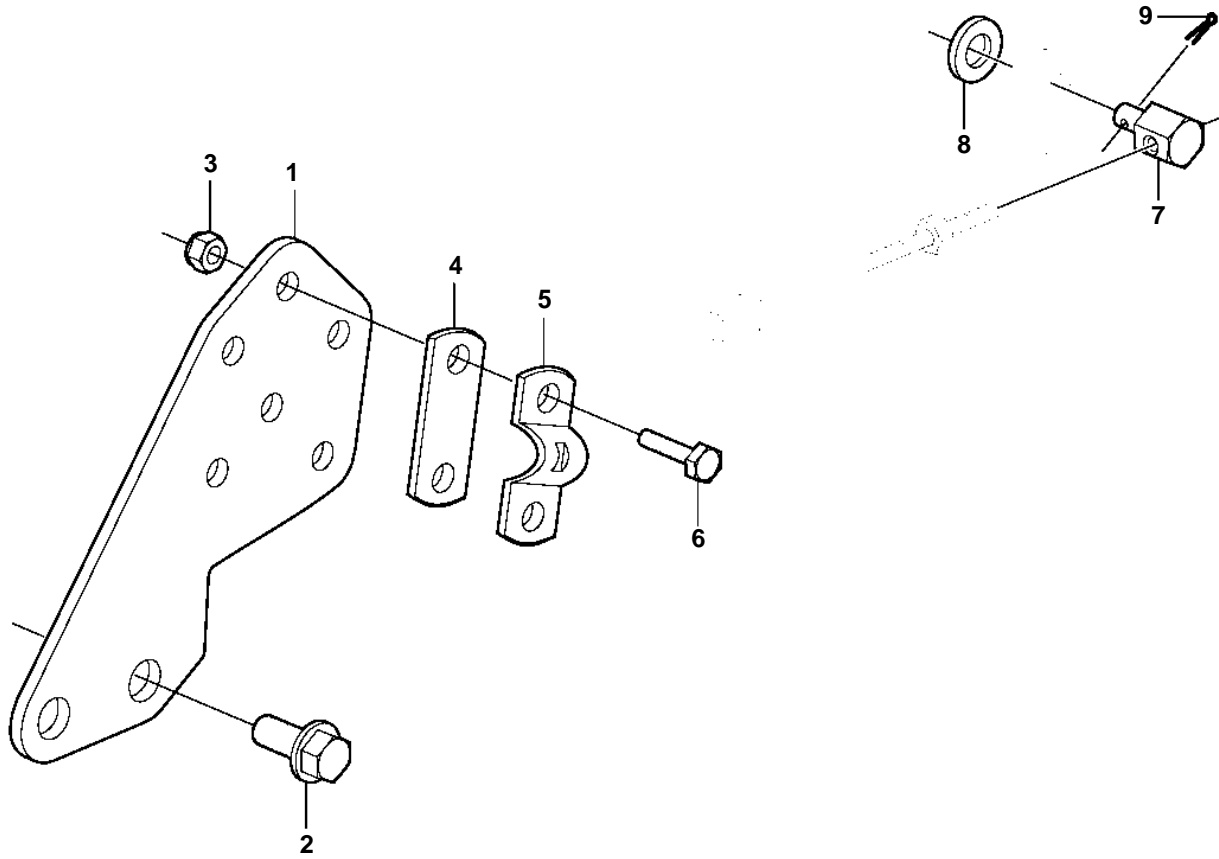


8.1GiI-G, 8.1GXil-F



8.1Giil-G, 8.1GXil-F

REF	PART NO.	QTY	DESCRIPTION
1	3818135	1	Bracket
2	946440	2	Flange screw
3	949874	2	Lock nut
4	819068	1	Washer
5	819067	1	Brace
6	955246	2	Screw
7	3841580	1	Cube
8	3852193	1	Washer
9	3852052	1	Cotter pin
10	949874	1	Lock nut
11	819067	2	Brace
12	819068	2	Washer
13	965204	1	Flange screw
14	3589659	2	Fitting
15	3589662	1	Pin
16	3852193	1	Washer
17	3852052	1	Cotter pin